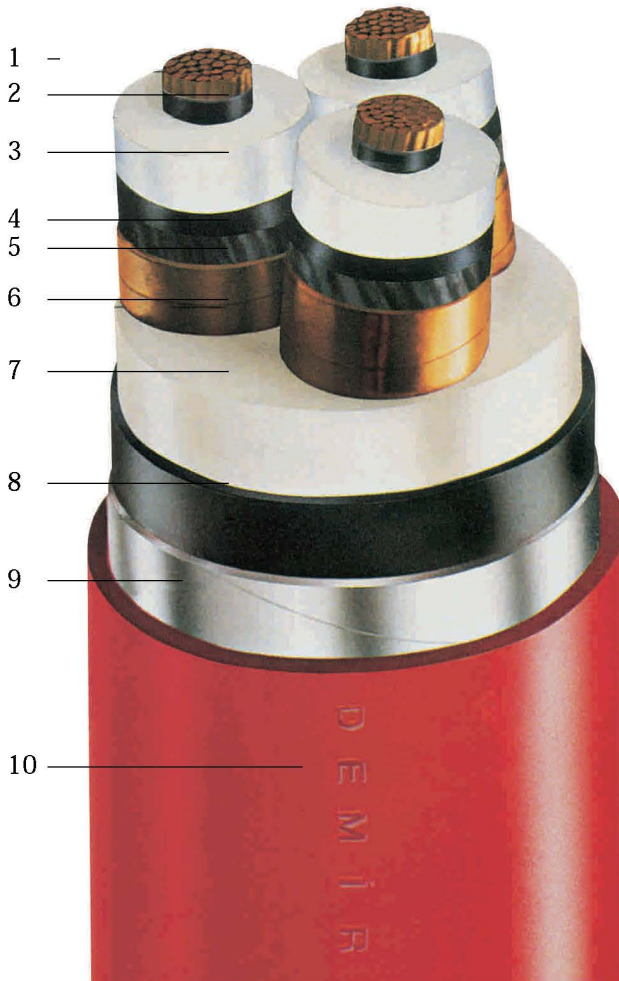


**12/20 kV XLPE INSULATED STEEL TAPE ARMoured
THREE-CORE CABLES WITH COPPER CONDUCTOR**

According to IEC 60502-2



Construction:

- 1-Copper conductor
- 2-Inner semi-conductive layer
- 3-XLPE insulation
- 4-Outer semi-conductive layer
- 5-Semi-conductive tape
- 6-Copper tape screen
- 7-Filling
- 8-PVC separation sheath
- 9-Galvanized double steel tape armour
- 10-PVC outer sheath

Application:

Under heavy duty conditions, under ground, in power and switching stations, urban networks, industrial plants, where there is a risk of mechanical damage.

Permissible operating temperature 90°C
Permissible short circuit temperature 250°C
(5 s max. duration)

DIMENSIONS AND WEIGHTS					ELECTRICAL DATA				
Nominal cross-section	Overall diameter approx.	Net weight approx.	Standard delivery length	Delivery reel size	Conductor dc resistance at 20°C (max.)	Operating inductance approx.	Operating capacitance approx.	Current carrying capacity*	
								in ground	in air
mm ²	mm	kg/km	m	cm	ohm/km	mH/km	µF/km	A	A
3x 35/16	61.0	5320	500	221	0.524	0.42	0.16	183	182
3x 50/16	63.0	5930	500	221	0.387	0.40	0.17	216	217
3x 70/16	67.0	7050	500	261	0.268	0.38	0.19	264	269
3x 95/16	71.0	8280	500	261	0.193	0.36	0.21	316	326
3x120/16	75.0	9360	500	261	0.153	0.34	0.23	360	377
3x150/25	78.0	10580	500	261	0.124	0.33	0.25	404	426
3x185/25	83.0	12500	250	241	0.0991	0.32	0.27	457	488
3x240/25	91.0	15780	250	261	0.0754	0.31	0.30	532	576
3x300/25	96.0	18270	250	261	0.0601	0.30	0.32	599	654
3x400/35	103.0	21800	250	281	0.0470	0.29	0.35	685	750

* Please refer to Explanatory Notes.